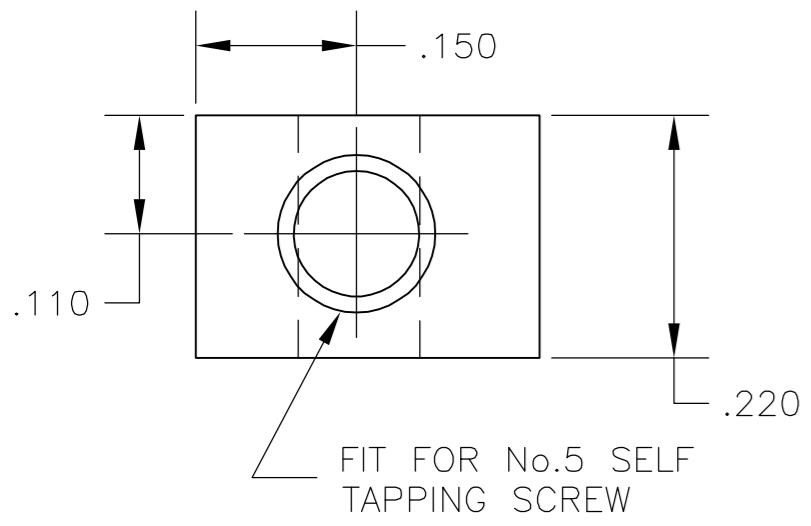
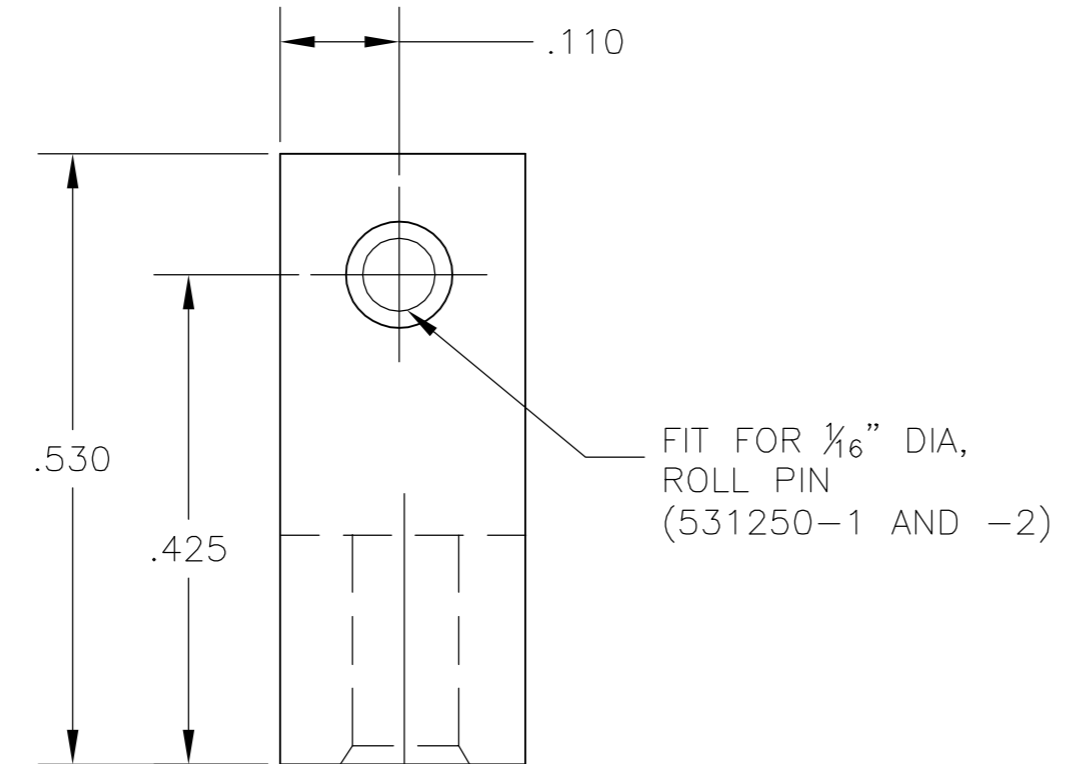
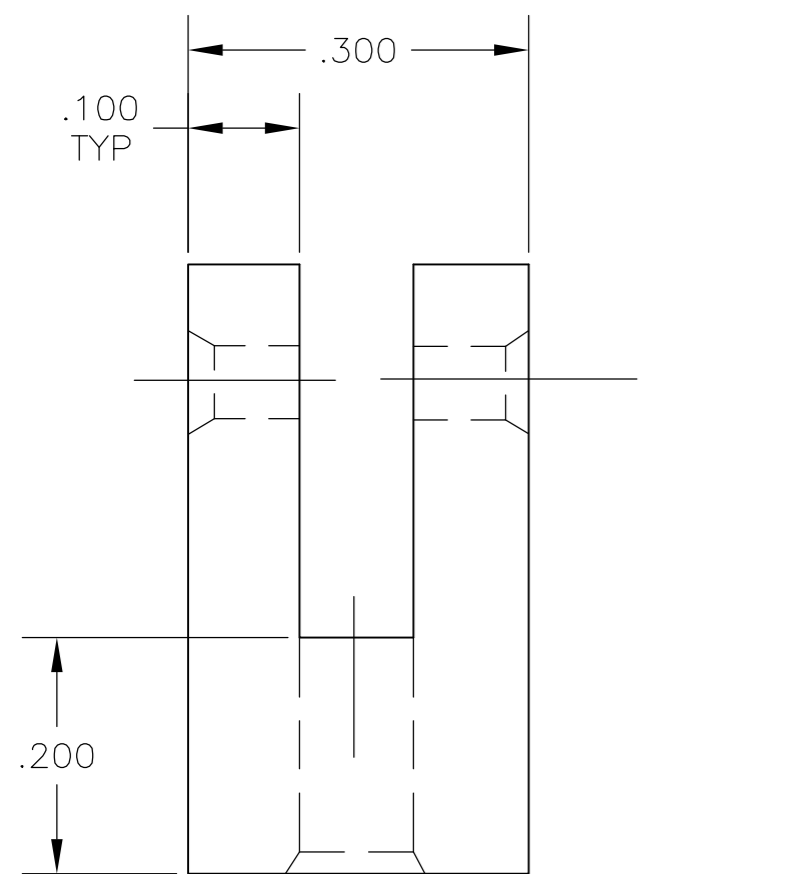
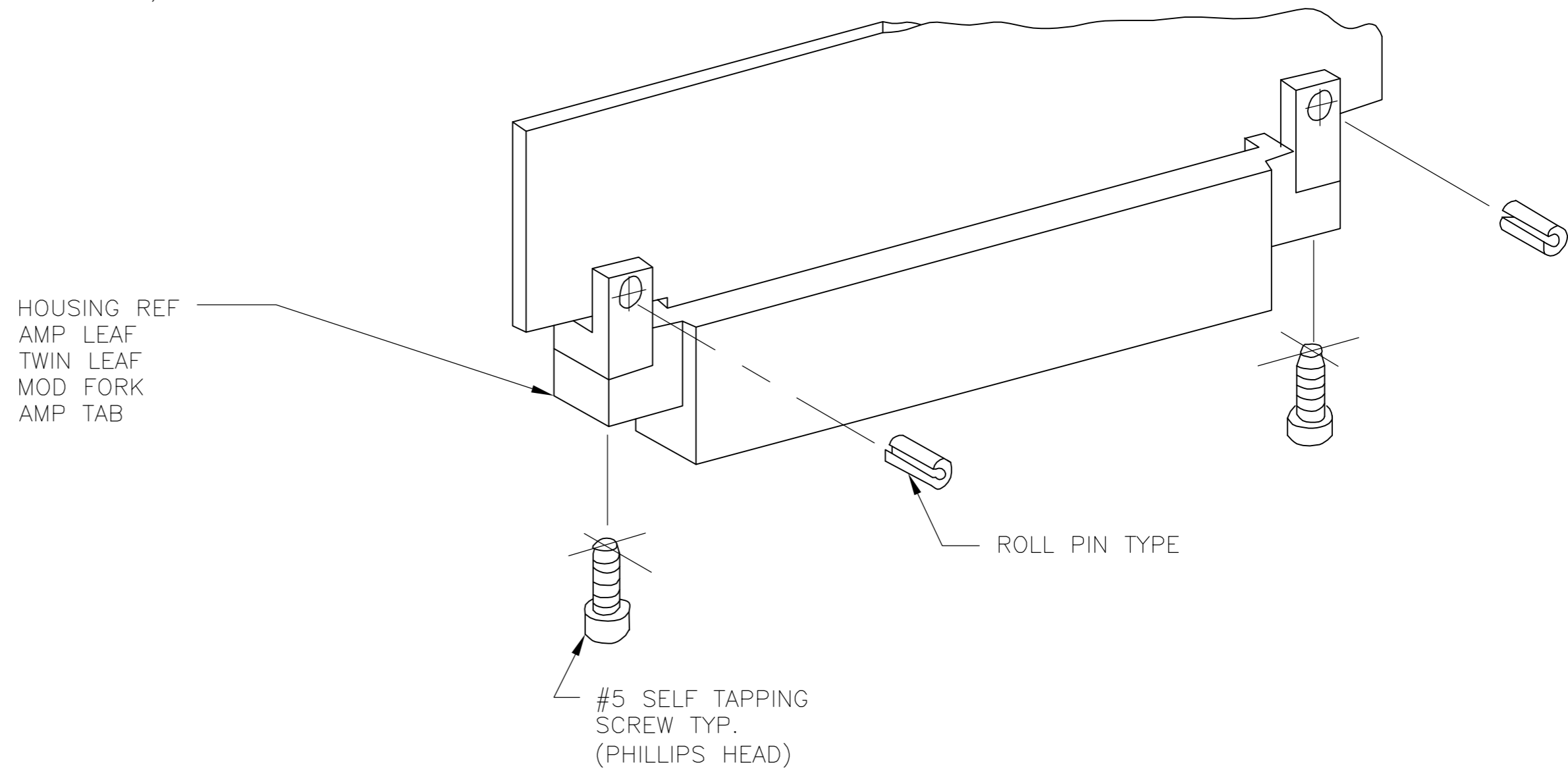


THIS DRAWING IS UNPUBLISHED. RELEASED FOR PUBLICATION  
 © COPYRIGHT BY TYCO ELECTRONICS CORPORATION. ALL RIGHTS RESERVED.

LOC		DIST		REVISIONS			
P	LTR	DESCRIPTION	DATE	DWN	APVD		
	G	ECO-05-009580	04FEB06	BSV	MM		



- SUPERSEDED  $\triangle 1$  531250-1 KIT INCLUDES: 2=531250-2, 2=SCREWS #5 X  $\frac{3}{8}$ ",  
2=ROLL PINS  $\frac{1}{16}$ " X  $\frac{1}{4}$ "
- $\triangle 2$  531250-2 AS SHOWN (BOARD RETAINER ONLY)
- OBSOLETE  $\triangle 3$  530250-3 KIT: SAME AS 530250-2 EXCEPT HOLE DIA IS .125 IN PLACE OF  
FIT FOR  $\frac{1}{16}$ " ROLL PIN
- $\triangle 4$  530250-4 KIT INCLUDES: 2=531250-2, 2=SCREWS #5 X  $\frac{7}{16}$ ",  
2=ROLL PINS  $\frac{1}{16}$ " X  $\frac{1}{4}$ "
- $\triangle 5$  5-530250-4 KIT (LEAD FREE) INCLUDES: 2=531250-2, 2 SCREWS #5 X  $\frac{7}{16}$ ",  
2=ROLL PINS  $\frac{1}{16}$ " X  $\frac{1}{4}$ "



$\triangle 5$	5-531250-4
$\triangle 4$	531250-4
OBSOLETE $\triangle 3$	531250-3
$\triangle 2$	531250-2
$\triangle 1$	531250-1
DESCRIPTION	PART NO

SUPERSEDED BY 531250-4

THIS DRAWING IS A CONTROLLED DOCUMENT.		DWN A.M.SHARPE 11JULY78	Tyco Electronics Corporation Harrisburg, Pa 17105-3608	
DIMENSIONS: INCHES	TOLERANCES UNLESS OTHERWISE SPECIFIED:	CHK RACILLA	NAME BOARD RETAINER, CARD EDGE, I/O CONN	
	0 PLC ± -	APVD RACILLA	SIZE	CAGE CODE
	1 PLC ± -	PRODUCT SPEC	A2	00779
	2 PLC ± -	APPLICATION SPEC	DRAWING NO	RESTRICTED TO
	3 PLC ± -		SCALE	SHEET
	4 PLC ± -		6:1	1 OF 1
	ANGLES ± -			REV
MATERIAL NYLON	FINISH -	WEIGHT -	G	
CUSTOMER DRAWING		SCALE 6:1 SHEET 1 OF 1 REV G		

531250

A